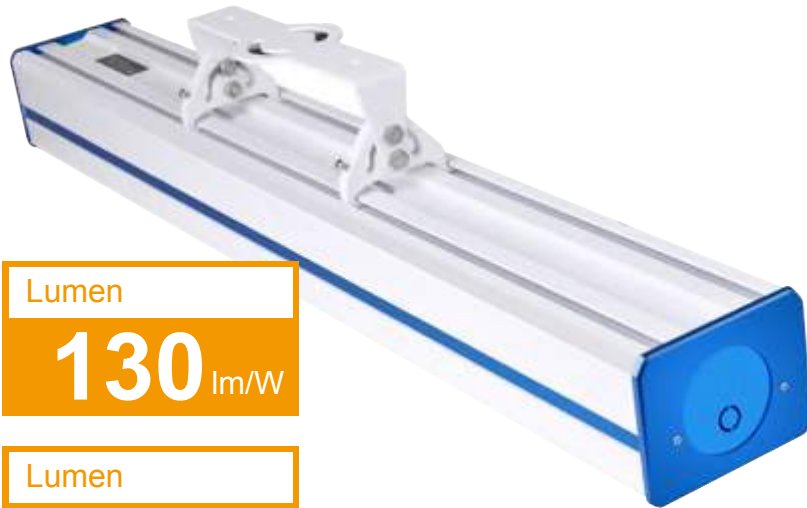


Features



Features & Benefits:

- Driver option: Meanwell / LongBright
- Super bright SMD3030 LEDs, CRI>70, LM80 rated
- Lumen output : 130lm/w / 160lm/w
- PF>0.9, THD≤ 20%, Flicker Free
- AC120-277V / 347-480V, 0/1-10V dimmable
- High Quality PC Lens
- Ideal replacement for traditional high bay with over 80% energy saving
- 5 Years warranty
- UL/cul Listed, DLC Pending

Lumen

130 lm/W

Lumen

160 lm/W

Applications: Workshop/Factory/Warehouse/Highway toll stations/Gas stations/Supermarkets/Exhibition halls/Stadiums and Other places of lighting required..



Specifications



Technical Specification

Input Voltage: AC120-277V / 347-480V, 50Hz~60Hz

THD: $\leq 20\%$

PF: >0.90 Non-Flicker

Power Efficiency: $>90\%$

LED Source: High Bright SMD3030

Color Temperature: 3000K, 4000K, 5000K

Color Rendering Index: CRI >70

Beam Angle: $60^\circ / 90^\circ / 120^\circ$

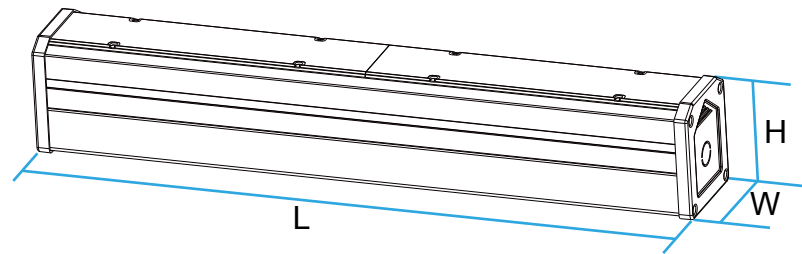
Material: PC + AL

Working Temperature: $-20^\circ\text{C} \sim +45^\circ\text{C}$

Storage Temperature: $-25^\circ\text{C} \sim +65^\circ\text{C}$

IP Grade : IP40

Working Life-span: 50,000H



Model	SIZE(L*W*H)
LHB06-080	605*104*92mm
LHB09-150	898*104*92mm
LHB12-180	1192*104*92mm
LHB15-240	1486*104*92mm

Parameters

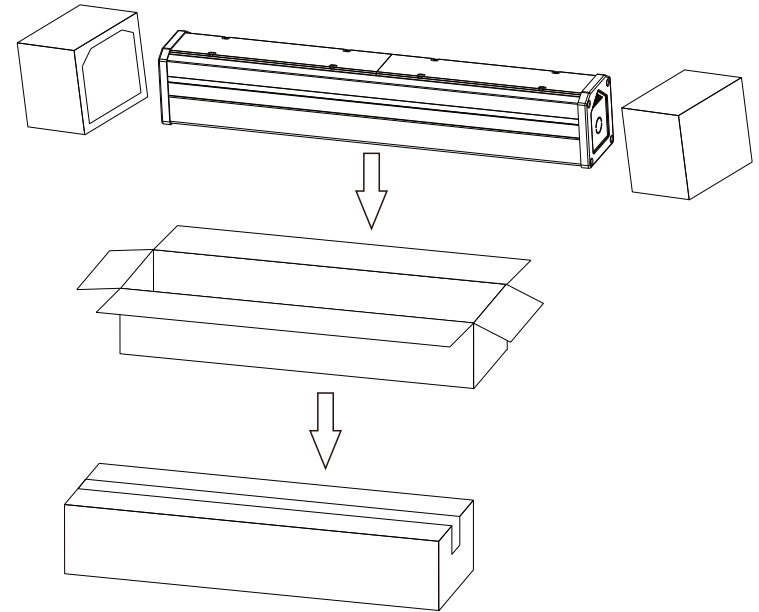
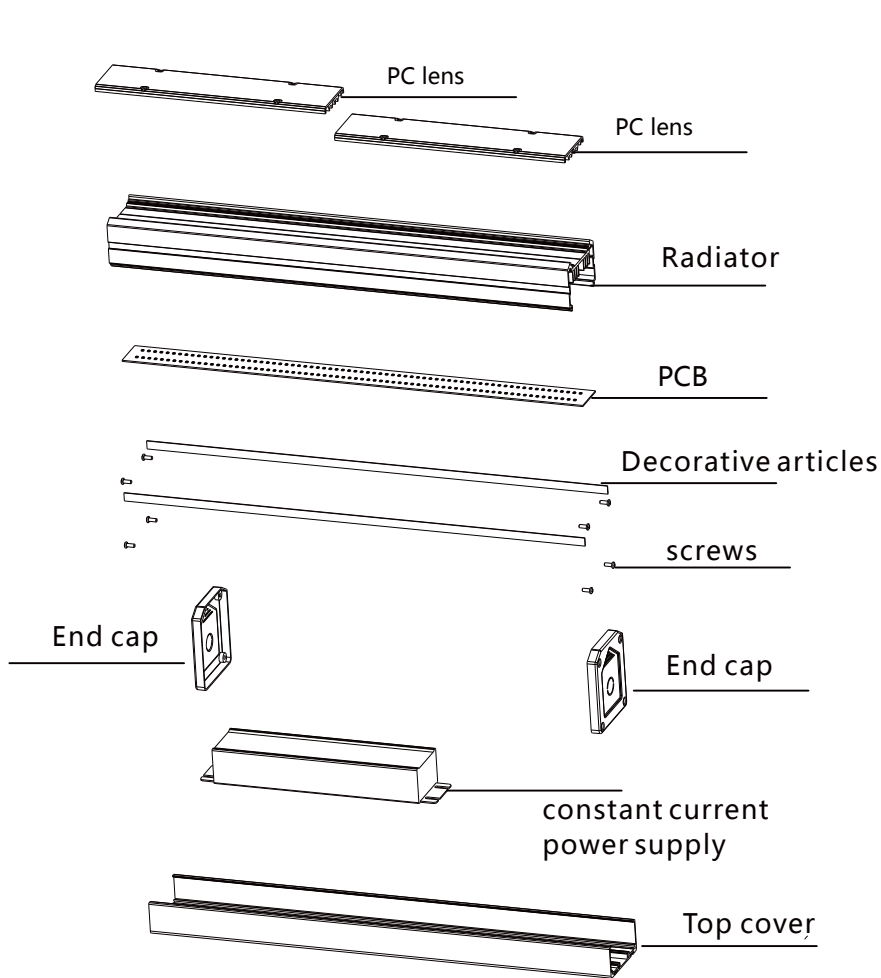


Parameters

Model	Watt	Input Voltage	Lumens	Size	CCT	N.W
LHB06-080	80W	AC120-277V or AC347-480V	130lm/W or 160lm/W	605*104*92mm	3000K	4.0 kg/pc
LHB09-150	150W			898*104*92mm	4000K	6.0 kg/pc
LHB12-180	180W			1192*104*92mm	5000K	8.0 kg/pc
LHB15-240	240W			1486*104*92mm	10.0 kg/pc	



Structure & Package



Item	N.W	G.W	CTN Size
80W	4.0 kg	5.5 kg	655x104x140mm 1pc/CTN
150W	6.0 kg	7.4 kg	950x104x140mm 1pc/CTN
180W	8.0 kg	9.5 kg	1240x104x140mm 1pc/CTN
240W	10.0 kg	11.6 kg	1535x104x140mm 1pc/CTN

Optional Function



NN (No function)

SN(Sensing function)

DM(Dimming function)

EP(Emergency function)

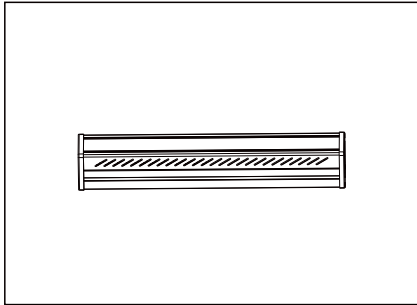
SD(Sensing+Dimming function)

DE(Emergency+Dimming function)

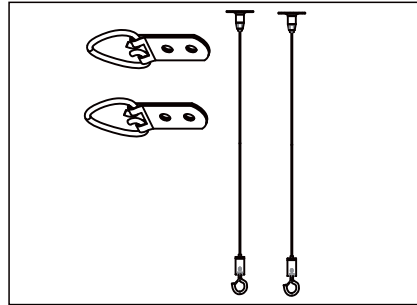
Installation



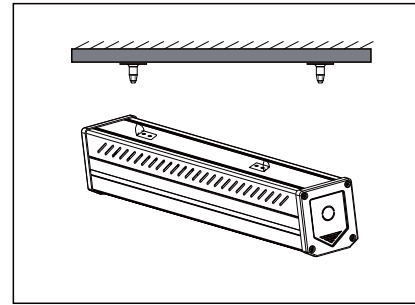
Option1: Hanging Installation



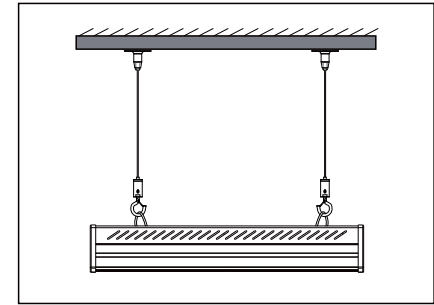
1. Take out the product.



2. Equipped with hanging bracket and sling kit.

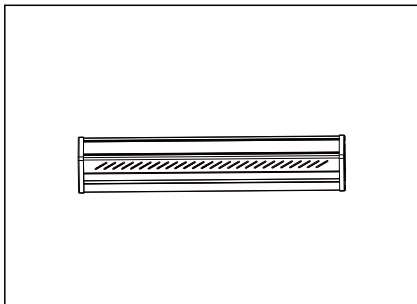


3. Fix the ceiling mount of the suspension kit over the ceiling.

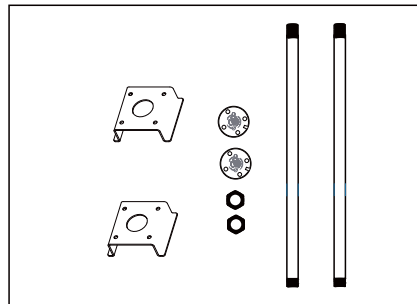


4. Hang the hook of the hanging kit into the hook of the hanging bracket of the lamp.

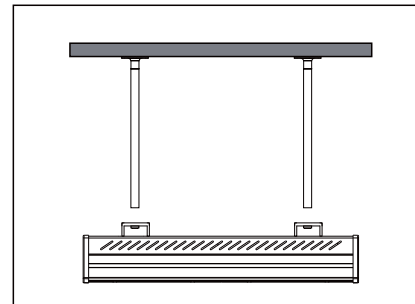
Option2: Boom Installation



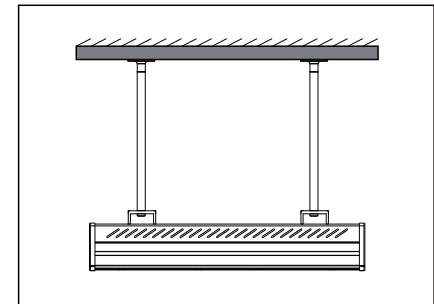
1. Take out the product.



2. Prepare hanging bracket, hanging bar, nut and ceiling mount.



3. Screw the ceiling to the ceiling.

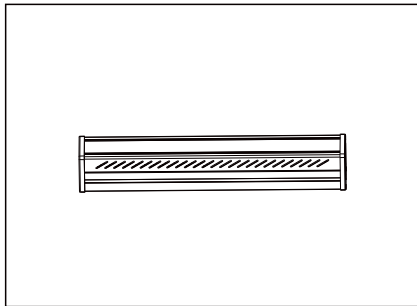


4. Put the hanging bar into the ceiling mount and the hanging bar bracket, fix the hanging bar with the nut, then fix the hanging bar bracket with the screw.

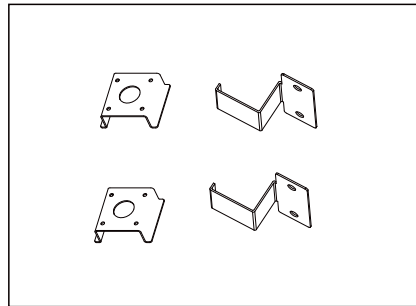
Installation Instruction



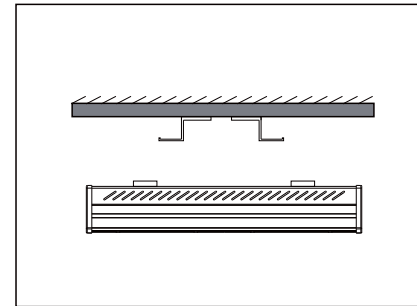
Option3:Ceiling mounting



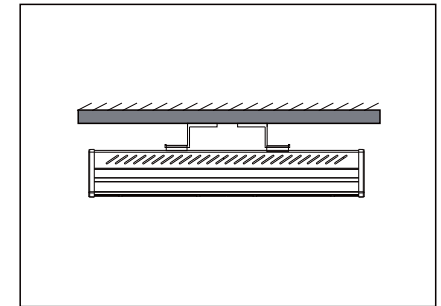
1. Take out the product.



2. Prepare bar stand and ceiling stand.

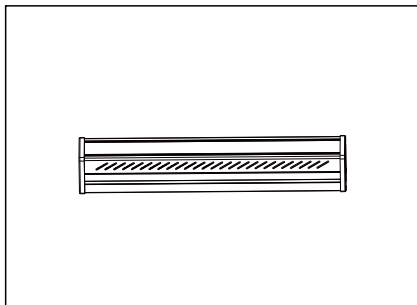


3. Ceiling bracket screwed to the ceiling.

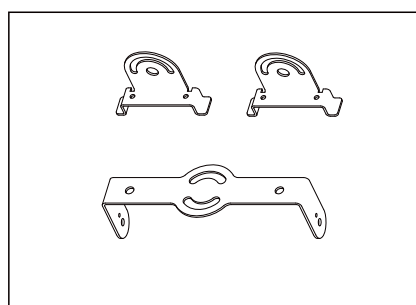


4. Hanging the ceiling bracket into the bar-mounted bracket above the lamp, then fixing the bracket with the screw.

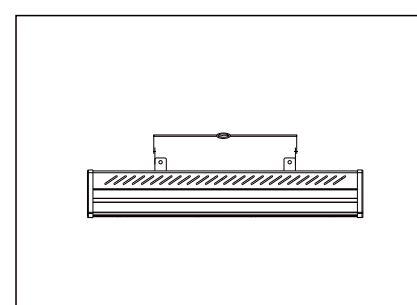
Option4:Rotate installation



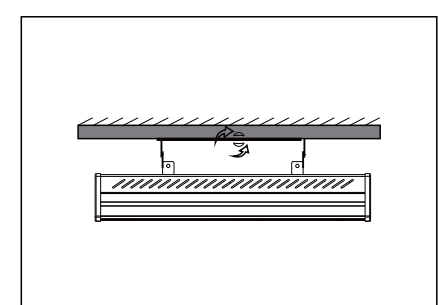
1. Take out the product.



2. Prepare swivel bracket A / B.



3. Fix the swivel bracket A / B with screws.



4. Fix the swivel bracket B on the ceiling and rotate it to the desired angle.